

2015



— —

"	"	4
		4
		4
		9
		9
		13
		13
		16
		16
		20
		20
		24
		24
		28
		28
		32
		32
		37
		37
		41
		41
		43
		43
		48
		48
		51



.....	51
.....	54
.....	54
.....	58
.....	58
.....	62
.....	62
.....	65
.....	65
.....	69
.....	69
.....	73
.....	73
.....	77
.....	77
.....	80
.....	80
.....	84
.....	84
.....	88
.....	88
.....	91
.....	91
.....	95
.....	95
.....	99
.....	99
.....	102
.....	102

.....	106
.....	106
.....	110
.....	110
.....	114
.....	114
.....	120
.....	120
.....	125
.....	125
.....	131
.....	131
.....	134
.....	134
.....	137
.....	137
" "	141
.....	141



" "

" " 1234

"

" "

"

"

" " 1234 "

" " " " "

()

" "

"

"

"

" " 1234 "

" " " 1234 "

" 1" " "

" 2"

" 3" " " " "

" "

" "

,

,

,

" -- -- "

" " " "

" " " "

" 4" " "

" " " 1234 "

12

12

" " "

" " "

" " " "

"

"

"



() " " " "

" " 34

29 " " " " " "

1 2

3

4

() " "

" "

9

"

"

2014

20%

50%

2012

40%

2014

90%

2013

2015

"

"

"

"

2012

1

1

2013

3

2014

"

"

"

"

98%

1. < >

" " 2.

2014 11

2014

1. 2014 11

100 2.

()

() (1958)

() "

"

" " 1234 "



1. . J 2013 22 34
2. . J 2011 5 32
3. . J 2010 23 31
4. . {J} 2013(26)36

" "

(2010-2020)

"

" "

"

2011 12

"

"

" "

201

1 2

80%

20%

1 0 6

" "

60%

" "



“ ”

.

“ ”

“ ”

.

“ ”

“ ”

.

“ ”

“ ”

“ ”

“ ”

“ ”

“ ”



"

"

"

[]

2000 3

[]

2002 22

[]

1999 8

[]

2003/16

[]

1992 2

2015 2 5 10

5

shock " shock "

"
"
" " " "
" " " "
" " " "
" " " "



“

”

”

”

“

”

”

”

”

“

”

"

"



“ ”

5

“ ”

“ ”

:

1

3

4

"

"

"



40

" "

" "

" "

" "



1 " "

1

"

" "

"

"

"

"

"

2

3

1

2

3

4

I PAD



同济大学
TONGJI UNIVERSITY



景格学校
JINGGE INSTITUTE

2015

"

"

2010

Educati on” “ Educati on permanente” “ Li fel ong

1

”

”

”

”

”

”



2

12

3

3

1

2

“ ”

3



"

"

,

"

"

"

"

"

"

"

"

"

"

"

"

"

"

"

"

"

"

"

"

"

"

"

"

"

"

"

“

”

“

”

，

“

”

“

”

”

“

”

“

”

“

”

“

”

“

”

“

”

“

”

“

”

“

”

“

“

”

”



90%

"

"

"

"

"

"

"

"



:

:

: 2015. 2. 6--2. 10

, , 36

6-7

PPT

" - - "

" "

1.

" "

" "

" "

120

·
·
·

"

" "

"

"

"

,

;

2.

"

" "

"

30



90 00

10 9

" " "

"

"

"

3.

PPT

MOC

2014. 4. 19

MOC

5-8

5-8

50M



2013

5

1

2

4

" "

" " " "

3 : + ; +

+ +

3

" "

"

"

" " "

" " " " "

4

3



2007

Woodl and Park

Jonathan Bergmann

Aaron Sans

Power Point

"

" Flipped Class Model

PPT

PPT

4

5

CTRL+SHIFT+D

6

(2)

(3)

(4)

(5)

(6)

1

MOCs

2

3



同济大学
TONGJI UNIVERSITY



景格学校
JINGGE INSTITUTE

2015

4

-

. —
" "

—
" " " "

1. "



2. "

3. "

" "

—

5 10

1.

2.

" "

3.

"

"

1

"

" "

" "

"

2

— —

— —

3

" "



4

5.

FLASH



同济大学
TONGJI UNIVERSITY



景格学校
JINGGE INSTITUTE

2015

90

90

2014 6 23-24

1



2.

" "



3.

4.

“ ”

1.

”

”

” ” ”

”

2.

”

”

——

3.

” ”



" "

" "

!

VOA BBC

Jane

Tom and Jerry

" "

English game

"

"

PPT, PPT, PPT
ppt Frasier
Friends Two Broke Girls

" "



1001

"

"

"

"

"

"

"

""

""

""

"

"

"

"

"

"

"



“

”

“

”

“

”

“

”

“

”

"

"

—

MOOC

"

"

"

"



().

().

1.

2.

3.

().

1.

2.

3.

().

MOOC

MOOC

MOOC

2013 9 9



2015 2 6 ~10

—

—

1.

" "

" "

20

2.

08

2~3

" " " "

" " " "

1.

2.

PPT

1.

" — — — "

"

2.

珺菡

" "

" "

3.



4.

" "

" "

5.

“ ”



2015 2 6

35

5

6

" "

" "

" "

" "

" "

2013

" "

" "

MOOC

PPT

PPT

5-8

PPT

PPT

16: 9

PPT

PPT

PPT

PPT

PPT

Smooth

Draw Cantasia Studio

6



”

35%

65%

1 1



30 :

"

"

'

"

"

"

"

— — — —



" "

U

" "

" " " "

" " " "

5

,

“ ”
“ ” “ ”

“ ”



" "

" " " " " " " " " "

1

2

3

4

5

1

"

"



“ ” “ ” “ ” “ ” “ ” “ ” “ ”

“ ”

5

“ ”

“

“

“ ”

“ ”

:

:

(2010)

(2007)

22

5

(2009)

(2010)

6

30

(2011)



/

2013

1 2

2012

2013

31 45

4

2013

Mann-Whitney U

Kolmogorov-Smirnov

2012 /

2013 1 2

(1)

Authorware Power point Flash 3DMAX Premiere

(2)

(3)



" "

(4)

- [1] . [J]. , 2014, (2): 71- 74.
- [2] . [J]. , 2010, (2): 86- 88.
- [3] , . [J].
, 2007, 17(9): 35- 37.
- [4] . [J]. , 2009, (5): 96- 99.
- [5] . [J].
, 2010, (11): 54- 55.
- [6] . [J].
, 2011, (21): 65- 67.

2015 2 5 2 10

,

"

"



" "

" Faster Higher Stronger. "

" the Olympic motto"

" What does the motto mean "

-Hand in Hand

27

The Olympic Games.

" 776 BC "

Greece

" the Olympic Games 776 BC Greece"

" The ancient Olympic

Games began around the year 776 BC in Greece"

" How sad

we are not allowed to take part in the games "

" 393 AD Stopped"

The Olympic Games

stopped in 393 AD because Greece was ruled by Roman Empire.

"

"

"

"



同济大学
TONGJI UNIVERSITY



景格学校
JINGGE INSTITUTE

2015



211

:

2010

1:1 ,

" "

" "

2010—2020

"

" "

"

"

"

"

"



”

” ”

”

”

”

”

”

1

2

”

”

”

”

1 44.2% 8 8.4% 35.8% 24
2.1% 33.7%

3

4

"

"

"

"

"

"

"

"



10

10

10

"

?"

3

9

"

?"

5

"

?"

—

1

2

"

" "

"

· 2013 07

J 2002 1

[] .

2004



"

"

"

"

1

"

"

PPT

PPT

Cantasi a studi o

2

"

"

"

"

"

"

"

"

"

"

"

"

"

— — "

"

"

"

— — — "

1

"

"

2

3



1

2

"

"

"

"

"

"

3

...

STEP

“ ”

“ ”

- [1] . “ ” . 2009. 10
- [2] . . , 2010. 6
- [3] . . , 2010. 6
- [4]
- [5]



2015 2 5 10

1994

PPT

" " " "

"

"

PPT

"

+

+

"

"

"

MOCs

"

"

,

,

,

,

,



"

"

"

"

"

"

"

"

PPT

“ ”



同济大学
TONGJI UNIVERSITY



景格学校
JINGGE INSTITUTE

2015



同济大学
TONGJI UNIVERSITY



景格学校
JINGGE INSTITUTE

2015

" "

2015 2 6 10

"

"

36

PPT

2 6

" "

" "

" "

" "

" "



2 8

2 9

2 9

"

"

" " "

" " "

2 7

"

" " " "

87% 10 75%

5 8 3 6% 10 13%

10 5 8

5 8

PPT PPT 16: 9

--- vdi sk. wei bo. com PPT Of f i ce 2010

Snagi t Movi e Maker

Cartasi a Studi o Smoot hDraw

2 8

" "



同济大学
TONGJI UNIVERSITY



景格学校
JINGGE INSTITUTE

2015

Cartasi a Studi o SmoothDraw

2015 2 6 10

" "

— —	— —	20%
— —	— —	30%
+ — — +	— —	50%
+ + — — + +	— —	70%
+ + — — + +	— —	90%

" " " "

" "



同济大学
TONGJI UNIVERSITY



景格学校
JINGGE INSTITUTE

2015

“ ”



2

5 10

“ ”

“ ”

“ ” “ ” “ ” “ ”

“ ”

“ ”

.....

“ ”



“ ” “ ” “ ” “ ”

.....



1

2

" " " "

" " — —

MOC

" "

PPT —

PPT 2003

2013

PPT

" MOC"

1 :

" "

2



" "

3

4

MOOC

"

"

"

"

1

2

3

4



“ ”
“ ”

“ ”

“ ”



1

" " " "

2

3

"

"



同济大学
TONGJI UNIVERSITY



景格学校
JINGGE INSTITUTE

2015

目录

.....	4
.....	4
.....	4
.....	5
.....	5
Googl e	5
I BM	6
" "	6
.....	6
.....	7
.....	8
.....	8



" "

web

1

" "

2

Web

3.

10

4.

(Google) (Microsoft) IBM (Yahoo) (Amazon)

(Amazon)

Amazon Amazon Web Services (AWS)

Amazon Web Services (AWS) Simple Storage Service (S3)

Elastic Compute Cloud (EC2) Simple Queue Service (SQS)

Simple DB (Amazon)

Google

Google Google

Google 2008 4 Google App Engine

Google App Engine

IBM

IBM Google IBM

2007 11 15 "Blue Cloud"

xen

" "

" "

" + " (S+S Software+Service)

Software (Vista Office) (Windows
 Mobile) Services (Windows Live) (
 Biz talk) Live Mesh Live
 Beta Live Mesh " Windows" " + "

" " " "
 (CLPC)

()

A B
(cloudprotal)

?

?

- [1] . [M]. , 2007.
- [2] . IT [M]. , 2007.
- [3] . [M]. , 2008.



" " " "

1

2

3

PPT

5-6

4

5

" " " " " "

6

7

" "

8

PPT

PPT

PPT

9

10

11

12

13

1

1

2

3

2

15

PPT

1

PTT

2

50% 90%

3

3B Beauty() Baby() Beast()

4

+

+

5

PPT

44

32

28

6



3

" "

"

" "

" "

" " "

" " "

"

" " " "

" " "

"

" "

" " " "

" " " "

" " " "

"

"

"

"



同济大学
TONGJI UNIVERSITY



景格学校
JINGGE INSTITUTE

2015

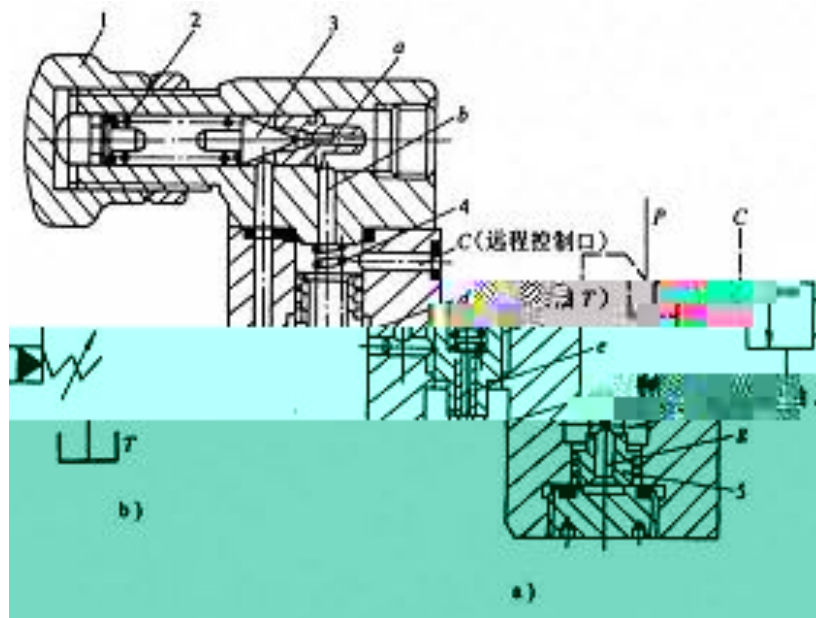
2015 2 6

"

"

90%

mul ti medi a



a) b)

1- 2- 3- 4- 5-

1 Y

PPT

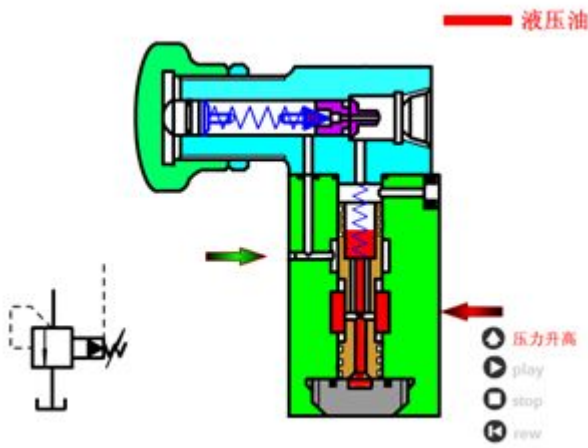
PPT

Power Point

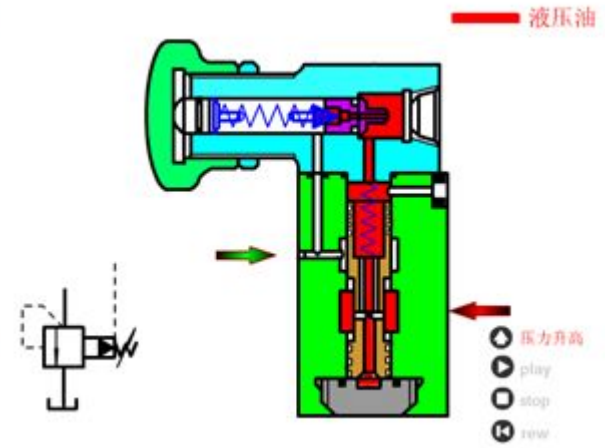
Office

PPT

Y

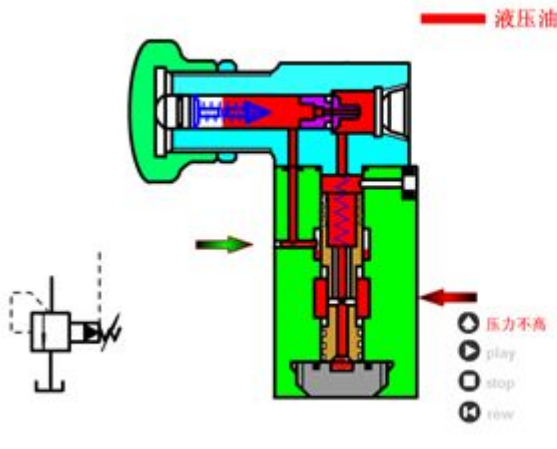


2

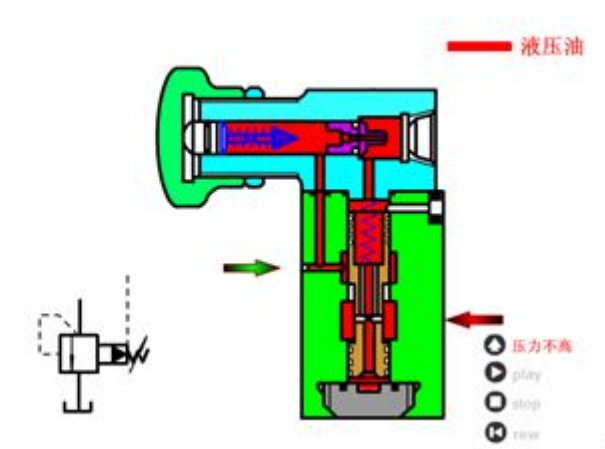


e

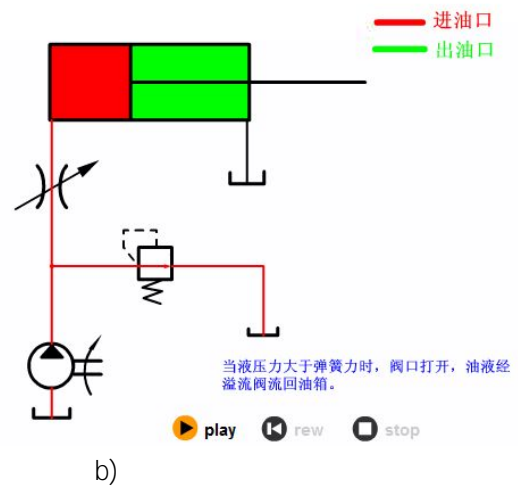
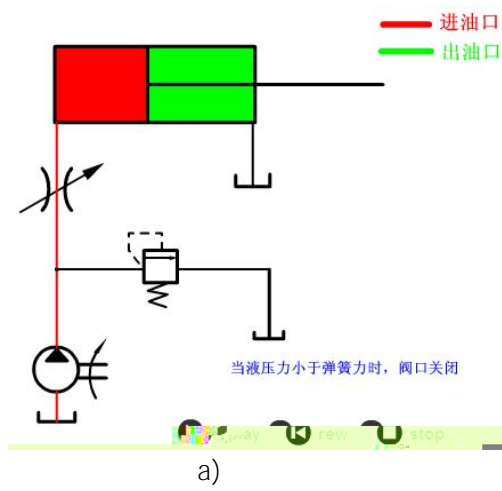
4



2



Flash



3

20%

30%

50%

70%

90%

70%

" "

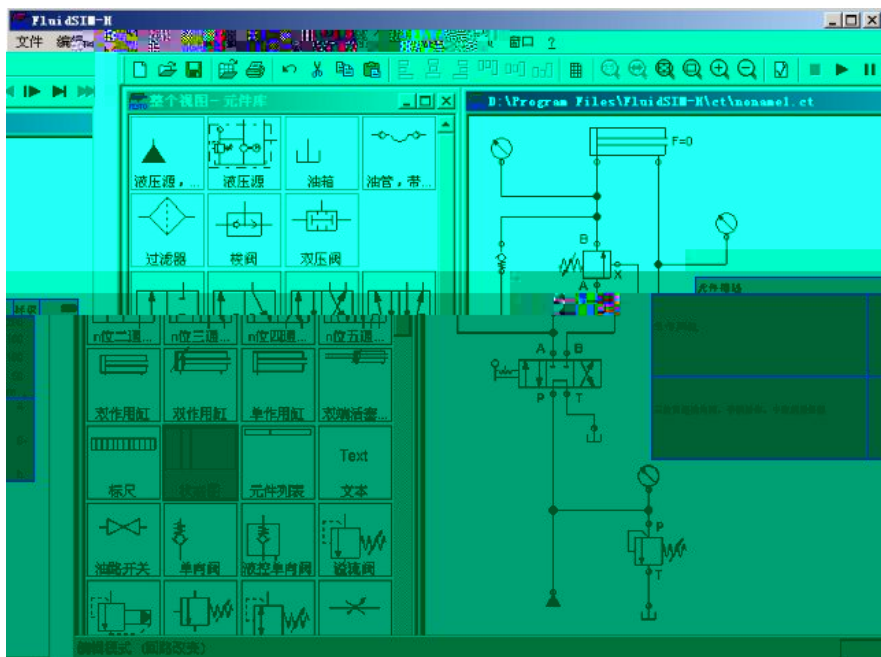
FluidSIM

Festo Didactic

Paderborn

FluidSIM

FluidSIM H





同济大学
TONGJI UNIVERSITY



景格学校
JINGGE INSTITUTE

2015

“ ”

,

,

,

2015 2 6 4

" "

1.

2.

3.

1



2015 2 6 2 10

"

"

5

"

"

"

"

"

"

1

2

3

4

5

"

"

PPT cantasi a studi o

" " " "

" " " "



同济大学
TONGJI UNIVERSITY



景格学校
JINGGE INSTITUTE

2015

"

"

PPT

"

"

"

"

"

"



“ ”

“ ”

“

”

Internet

40

“

”

”

”

" "

1

" " " "

2

" "

3

" "



4

“

”

, " "

()

" "

()

" " ,

()

" "

" "



()

()

" "

				2
				4
			1	
			1	
				1
				1
				1
			2	1
				1
				1
				1
				1

				1 1 1 1 1
" "	" "			1 1



()

"

"

"

"

()

"

"

"

"

()

230

11.2%

1

"

"

"

"

"

"

2

"

"

3

9

19

"

" 12

6

31

4



	67		41	"	"	118		91%
1.								
		1		7		1		9
19		6	113			32		
156						1		
6		11					7	
6			7					1 1
		4		8		15		
1								
2.								"
" "		" "			"			"
" "		" "				"		
						2	1	1
25	105	"	"		99.1%			100%
91%								
3.								
50		1						7
				4				
			4000				2014	"
		"						
()								

“ ”



博世的培训是一种需要
附带的培训，就是多亏它点燃了闵行
也点燃了员工的人生。

地址：上海市真南路500号同济大学